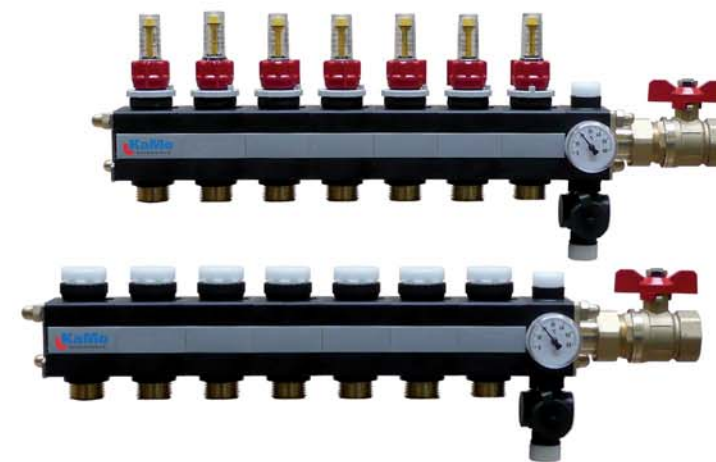


Manifolds made from plastic

Thermflex® HVT



The advantages of the Thermflex® manifolds

- **High plastic quality**
The plastic is extraordinarily resistant to temperature and ageing
- **Heating and cooling**
The Thermflex can be applied both in heating and cooling circuits
- **Pre-assembled - ready for connection**
Alternatively also available in distribution cabinets or as control station

Completely pre-assembled manifold units and control stations are available in numerous versions:

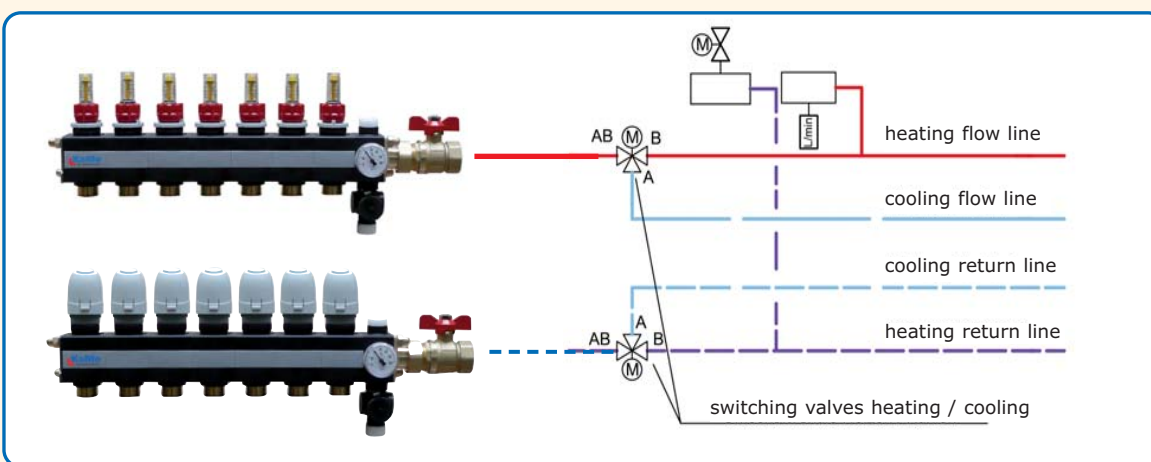
KaMo delivers pre-assembled manifold units installed in recess-mounted or surface-mounted distribution cabinets with alternatively horizontal or vertical piping - on request also with distance pieces for heat and water meters.

Further versions with for example installed commissioning valves, differential pressure valves, dynamic volumetric flow controls or zone valves can be realised at any time with very short delivery times.

Please call us directly or contact our field service. You will find your contact persons easily on www.kamo.de



Applicable for heating and cooling



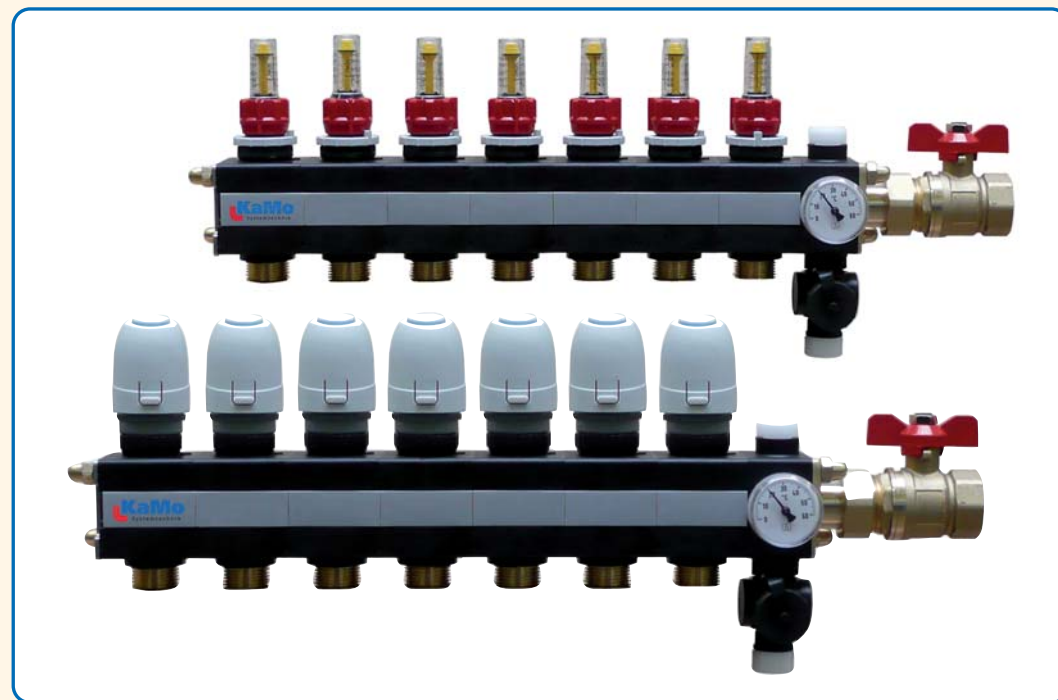
Handed over by:

KaMo Verteilersysteme GmbH
Max-Planck-Straße 11
89584 Ehingen

Telefon: 07391/7007-0
Fax: 07391/543 15

E-Mail: verteilersysteme@kamo.de
Internet: www.kamo.de

Versatile applications: Flexible manifolds **Thermflex® HVT**



- Valve rod with scale (from 0 to 4 l/min)
- Flow control
- Locking mechanism for flow adjustment
- Integrated air chambers for insulation
- Faceplate with possibility of marking
- Valve seat
- O-ring sealing
- Cast-in brass bushing

valve technique conforming to the standard DIN EN 1264-4

Ideal for the modernization of old heating systems:

The advantages:

- Main connection left or right
- Center-to-center distance 50 mm
- All connection threads made of brass
- Low pressure loss
- Completely safe to use with any water quality
- Installation possible at wall, ceiling and in cabinet

Interconnection of the manifold lines

Flow and return bar can be interconnected to one another by means of a special plastic clamp. This is ideal for the replacement of old heating manifolds or rather for the installation in narrow rooms with sufficient installation depth.



Technical data manifold Thermflex®

Connection dimension:	Int. thread R1
Operating temperature/pressure:	6 bar: -20 °C to 60 °C 3 bar: -20 °C to 90 °C
Max. water quantity per manifold:	3,5 m³/h
kvs-value flow and return valve:	1,2 m³/h
Available outlets:	2-12 Heating circuits
Heating circuit distance:	50 mm
Thermometer:	0 °C bis 60 °C

Versatile applications:

Whether for new buildings or renovations – the Thermflex is perfectly suitable

Longevity:

Reinforced by glass fibers, therefore extremely resistant to ageing

High flexibility:

Installation alternatively on top of each other or side by side (space saving)

Heating and cooling:

No condensation water thanks to optimal insulation by air chambers – also in case of high temperature differences